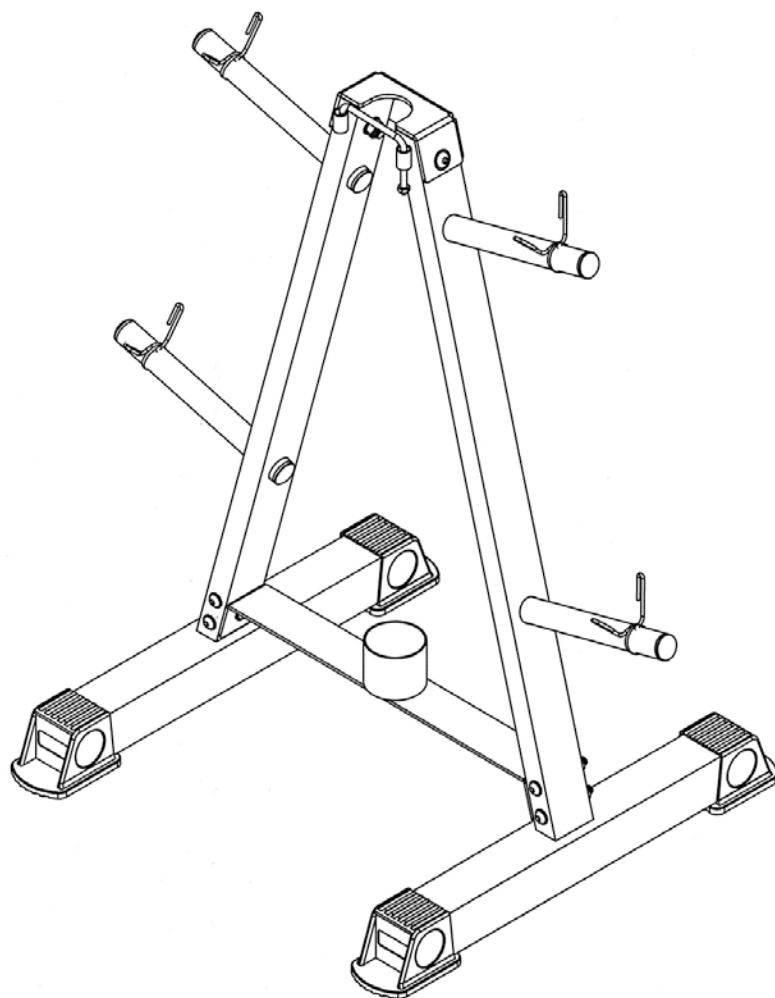


# MARCY®

## STANDARD PLATE TREE

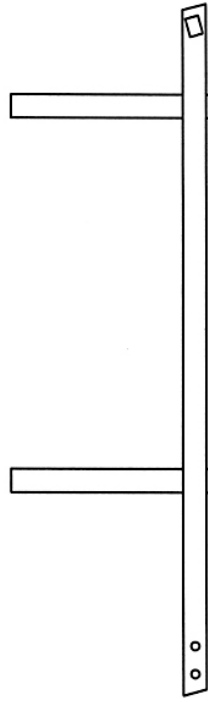
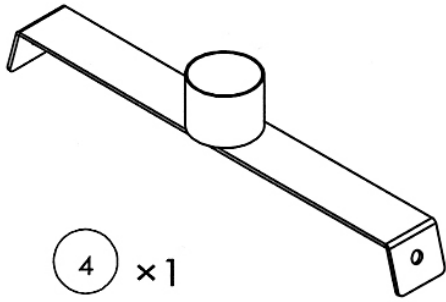
### SAG-44.0



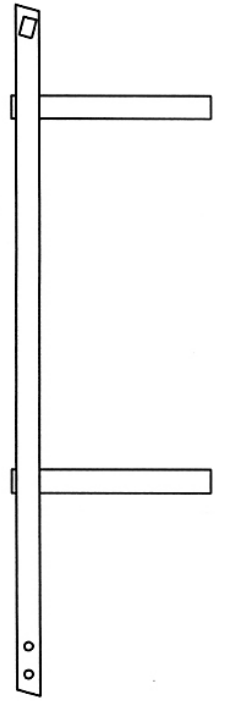
**IMPORTANT:** Please read the Important Safety Notice and Assembly Information in the Owner's manual before assembling this product.

**Assembly Manual**

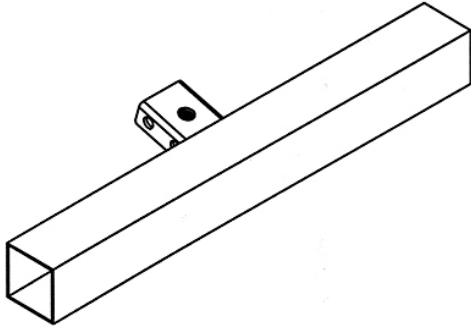
130617



2 × 1



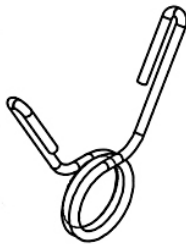
3 × 1



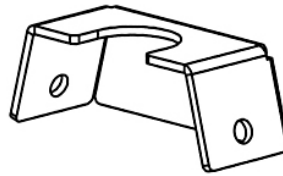
1 × 2



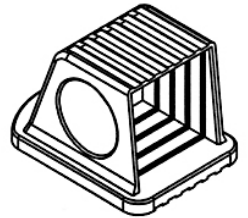
6 × 1



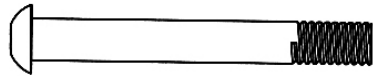
9 × 4



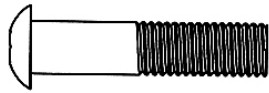
5 × 1



7 × 4



10 x 4



11 x 2



12 x 2



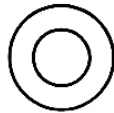
13 x 2



16 x 4



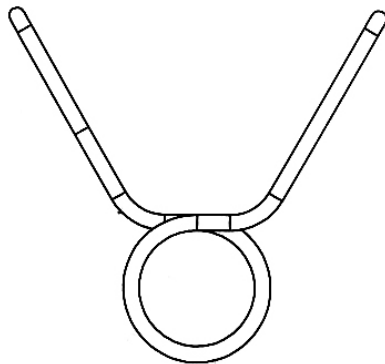
14 x 1



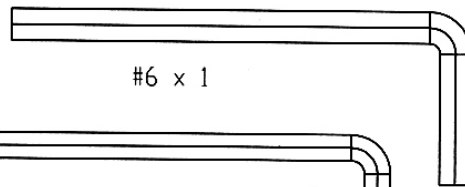
15 x 6



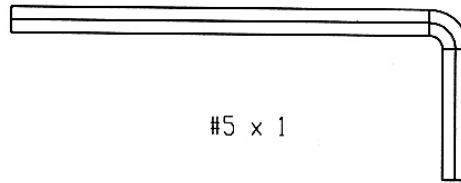
17 x 8



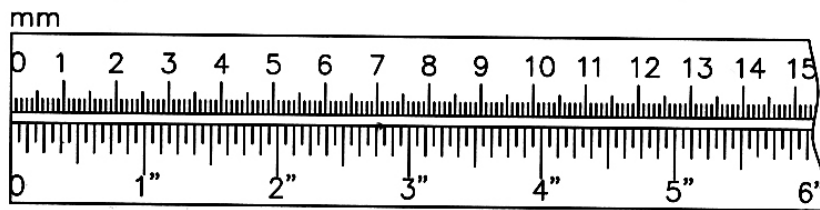
9 x 4

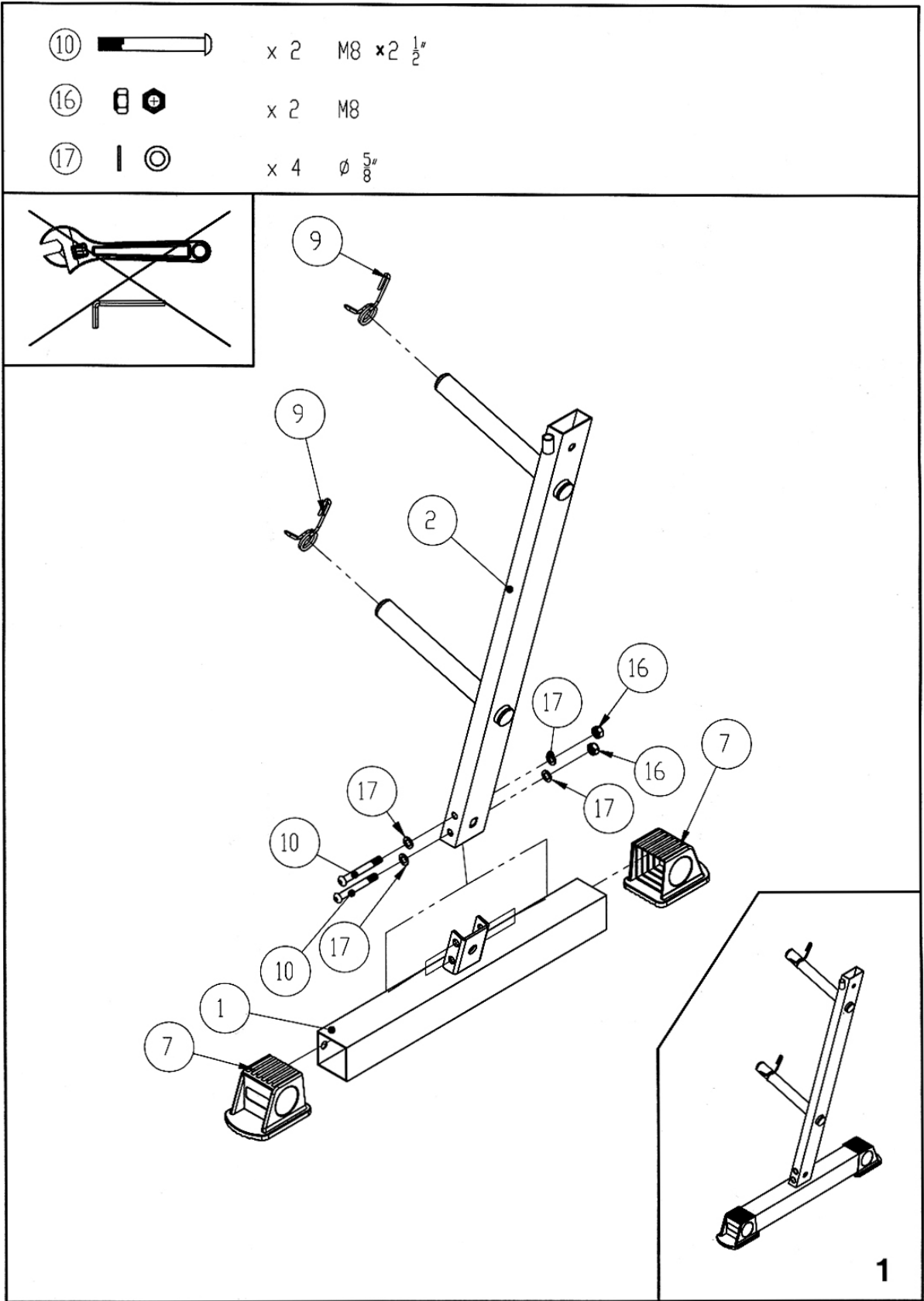


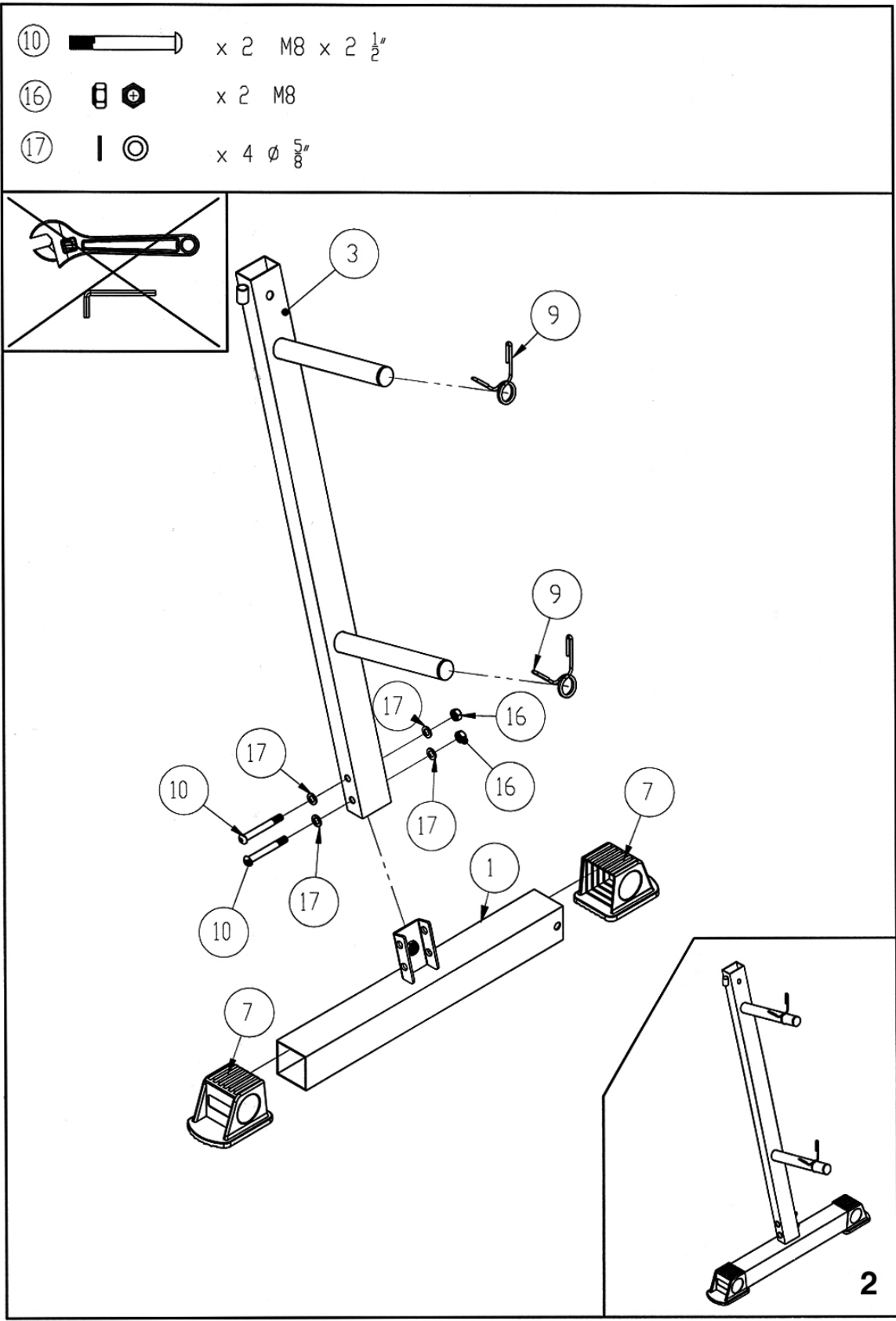
#6 x 1

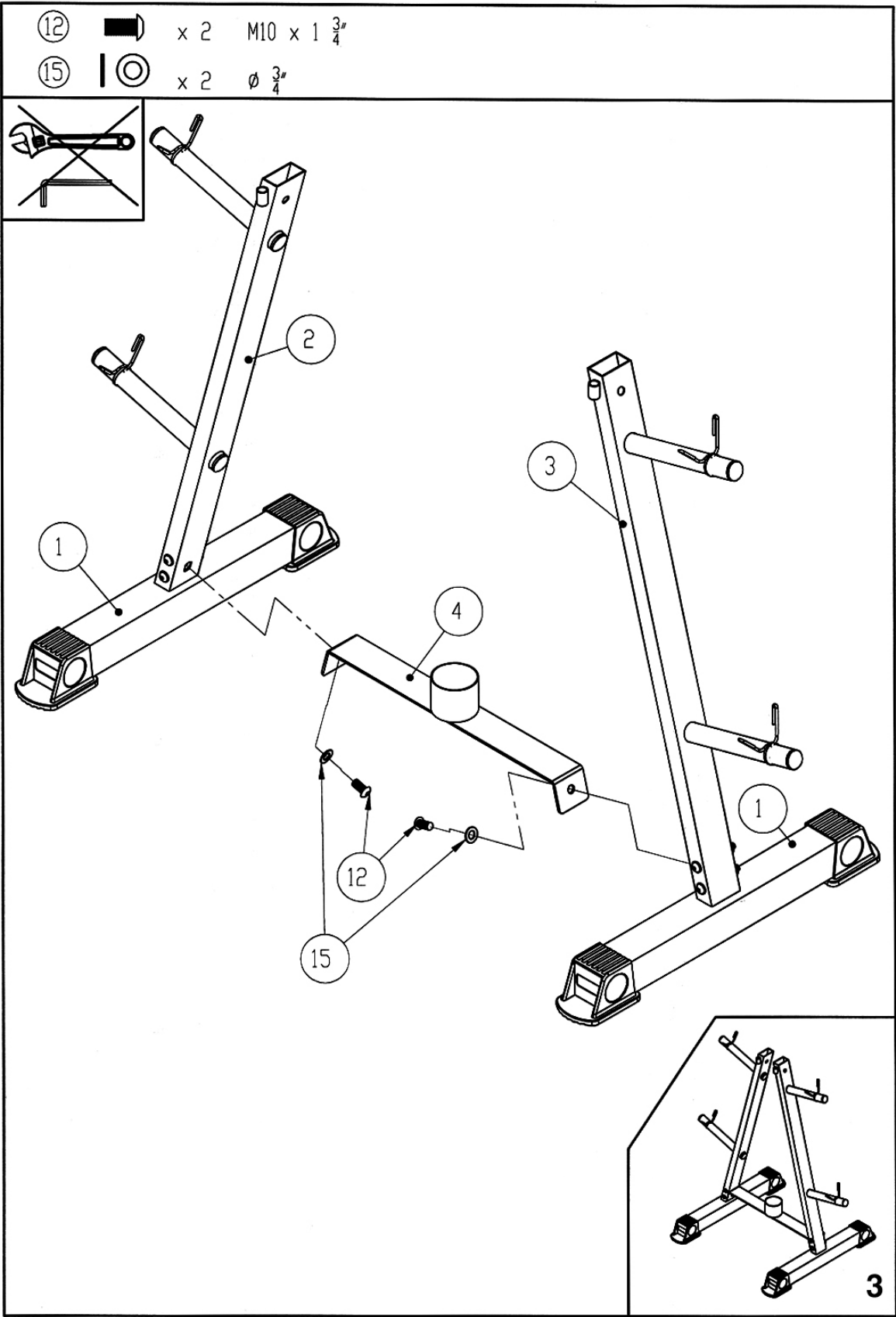






#5 x 1

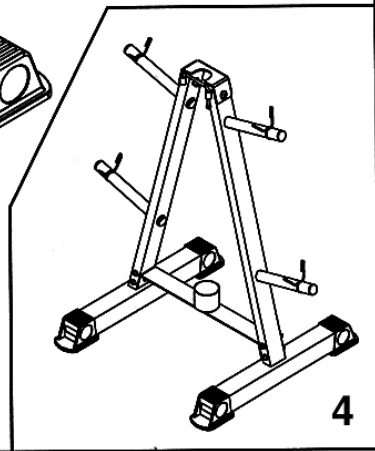
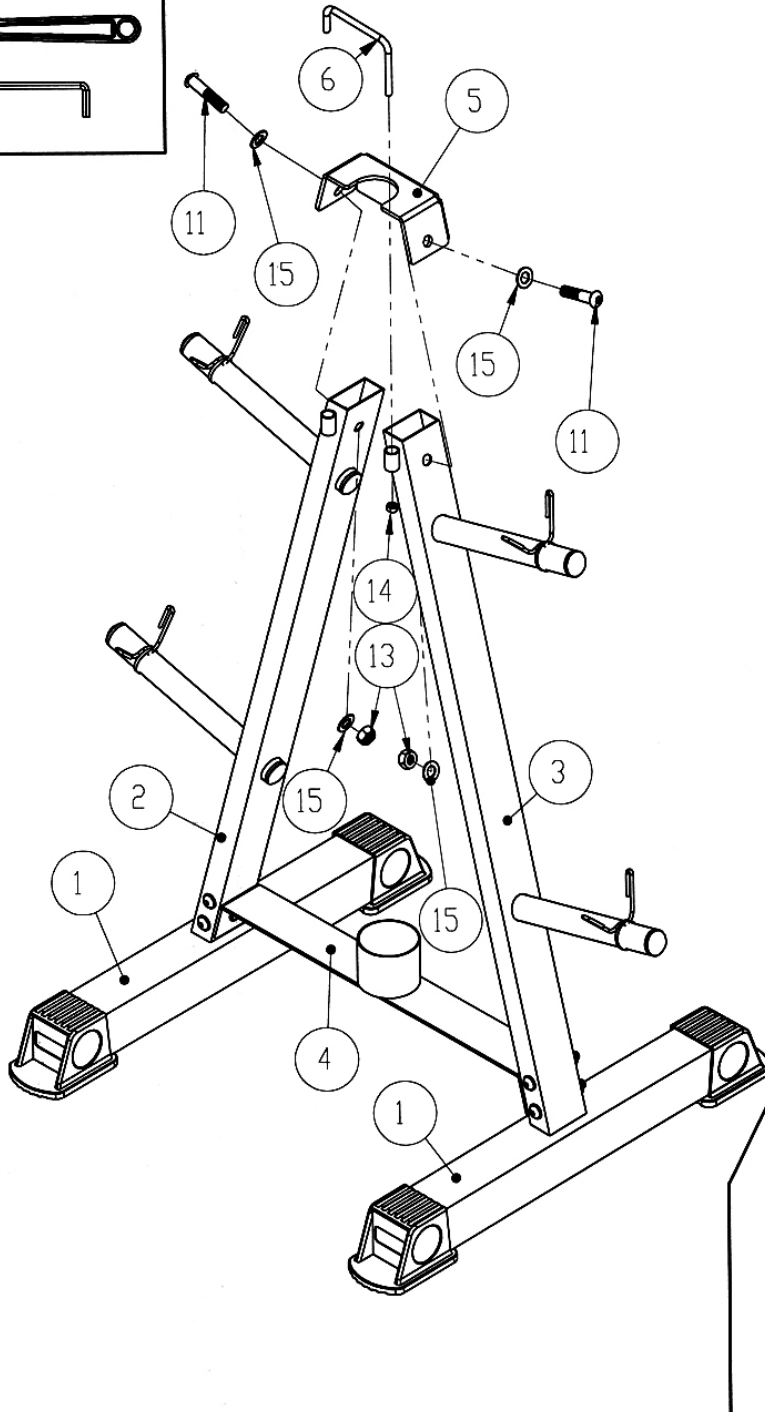
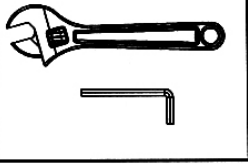


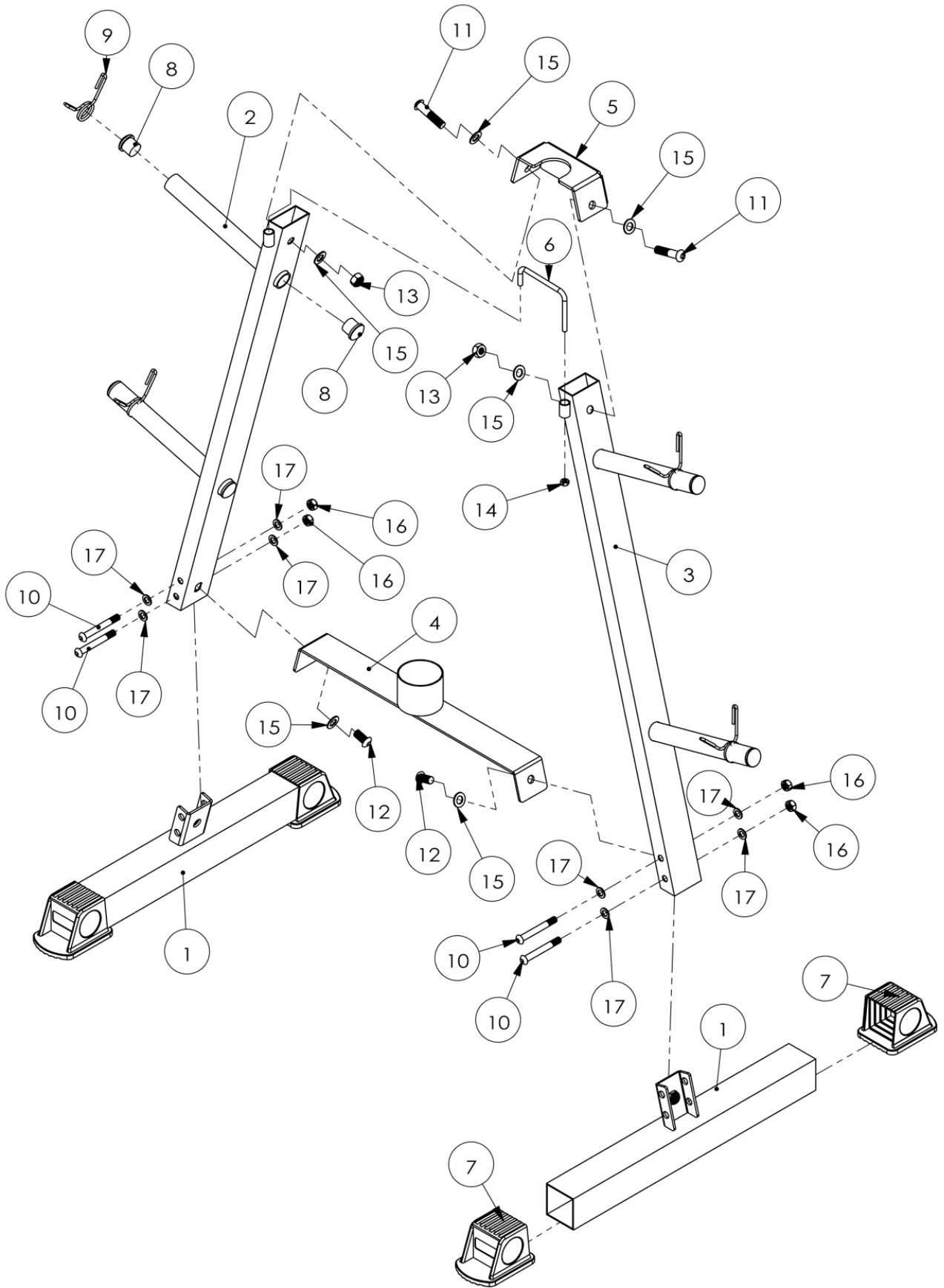






- ⑪  x 2 M10 x 1  $\frac{3}{4}$ "
- ⑬  x 2 M10
- ⑭  x 1 M6
- ⑮  x 4  $\varnothing \frac{3}{4}$ "







**IMPEX<sup>®</sup> INC.**

2801 S. TOWNE AVE., POMONA, CA 91766

Tel: (800) 999-8899 Fax: (626) 961-9966

**[www.impex-fitness.com](http://www.impex-fitness.com)**

**[info@impex-fitness.com](mailto:info@impex-fitness.com)**